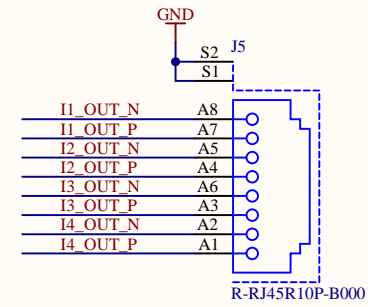
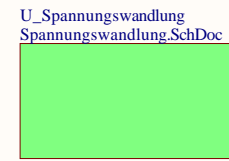
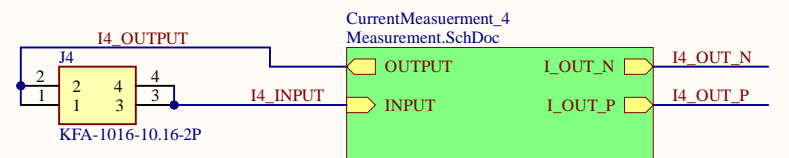
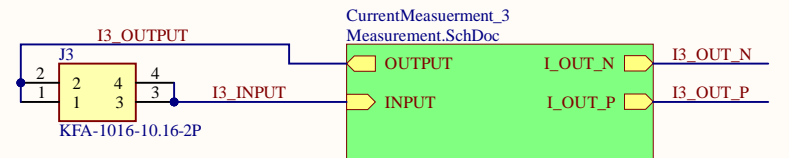
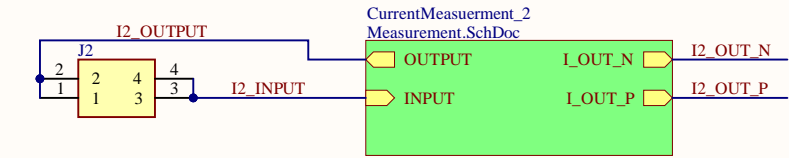
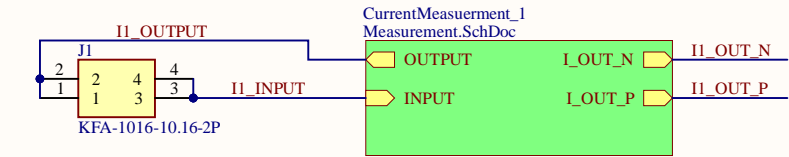
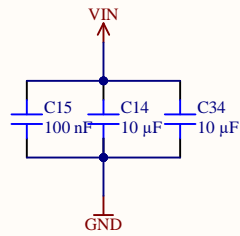
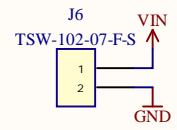
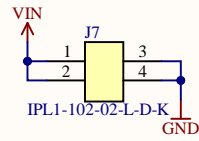


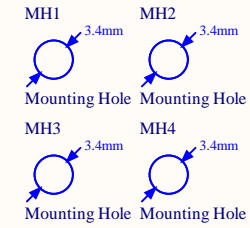
VIN -> 9 V to 50V



Serial1
Serial
Serialnumber 6.3 x 6.3 mm

INFO1
Project
ProjectRevision
AuthorParam
ProjectDate
Design Information

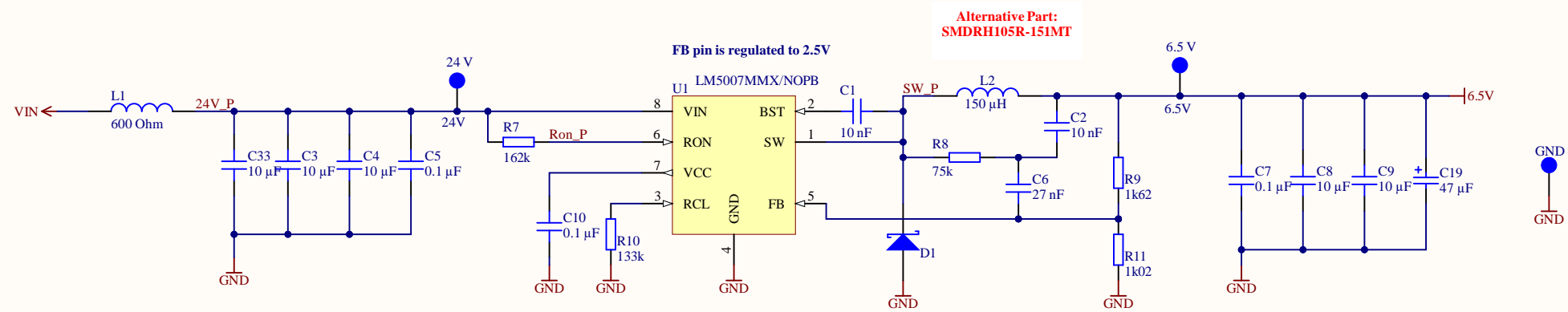
LOGO1
UltraZohm
UZ Logo



Title: TopSheet.SchDoc	
Revision: Rev02	Design Engineer: Kaan Ilhan
Project: Strommessplatine.PjPcb	

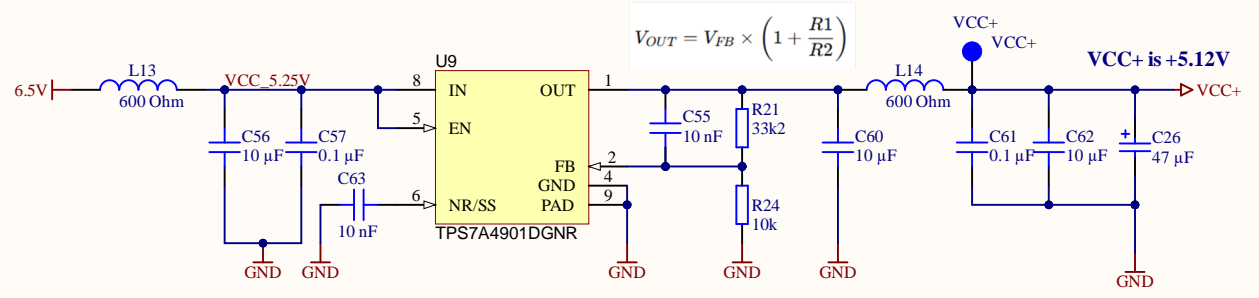
UltraZohm
www.ultrazohm.com
 Date: 20.05.2025
 Sheet 1 of 6





Alternative Part:
SMDRH105R-151MT

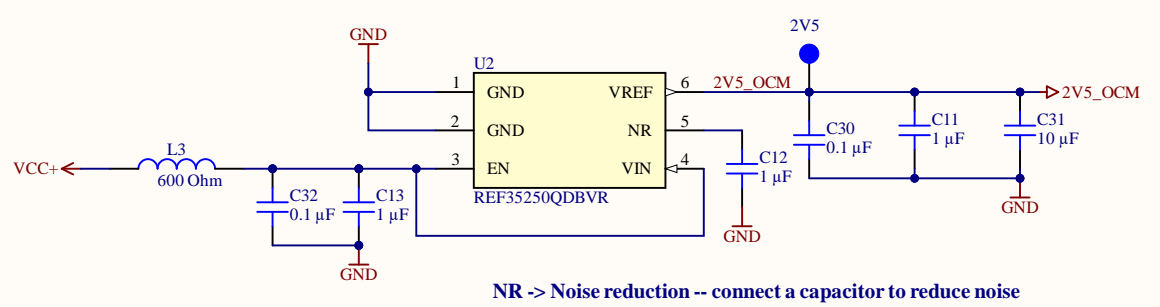
FB pin is regulated to 2.5V



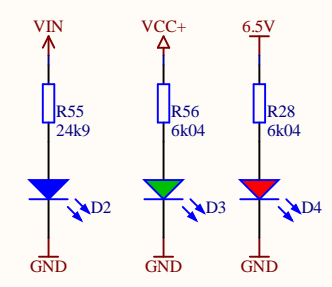
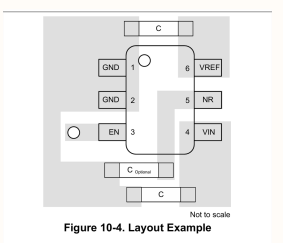
$$V_{OUT} = V_{FB} \times \left(1 + \frac{R1}{R2}\right)$$

VCC+ is +5.12V

with V_FB = 1.185V (datasheet) -> V_OUT = 5.12V

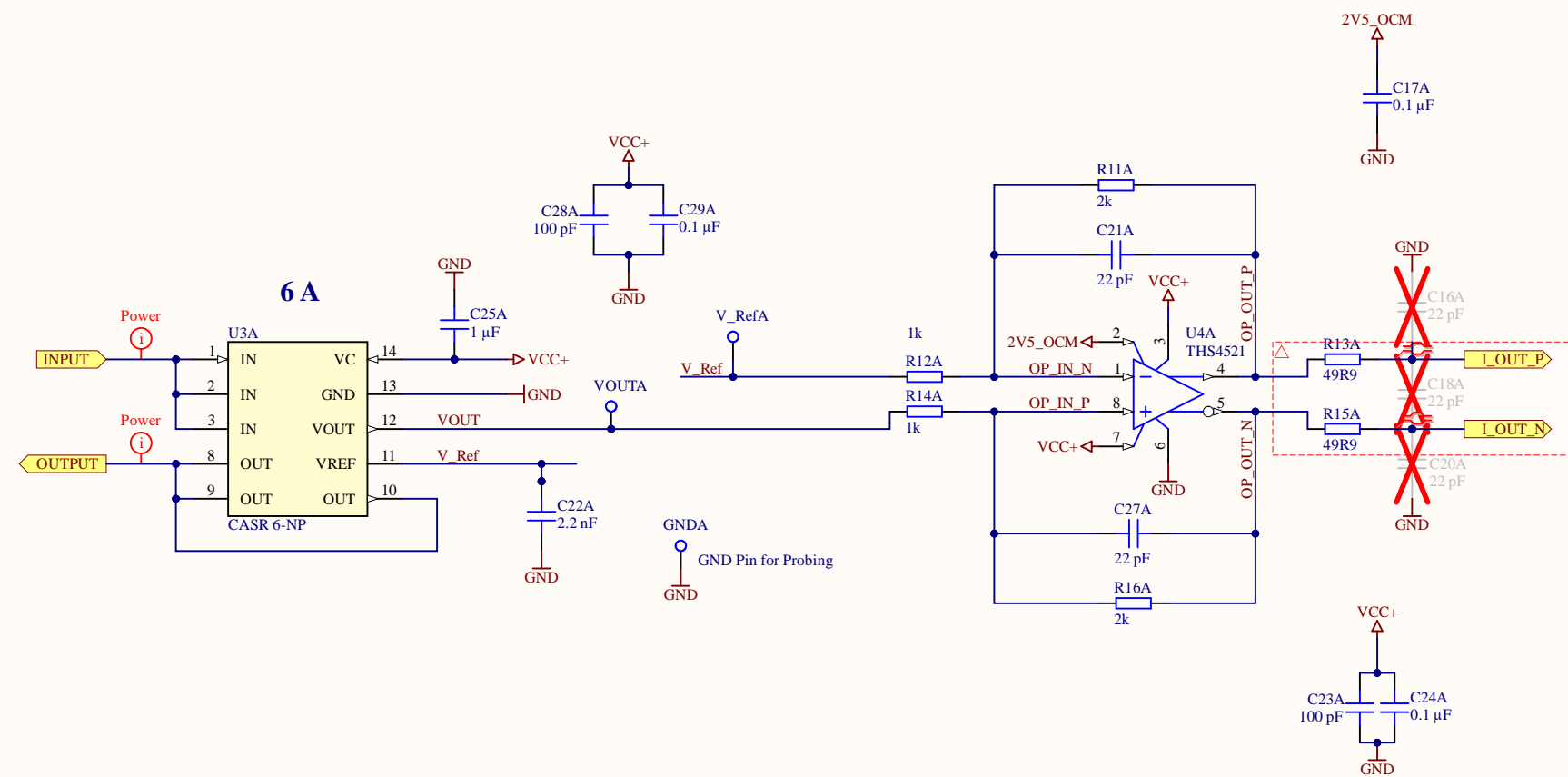




NR -> Noise reduction -- connect a capacitor to reduce noise

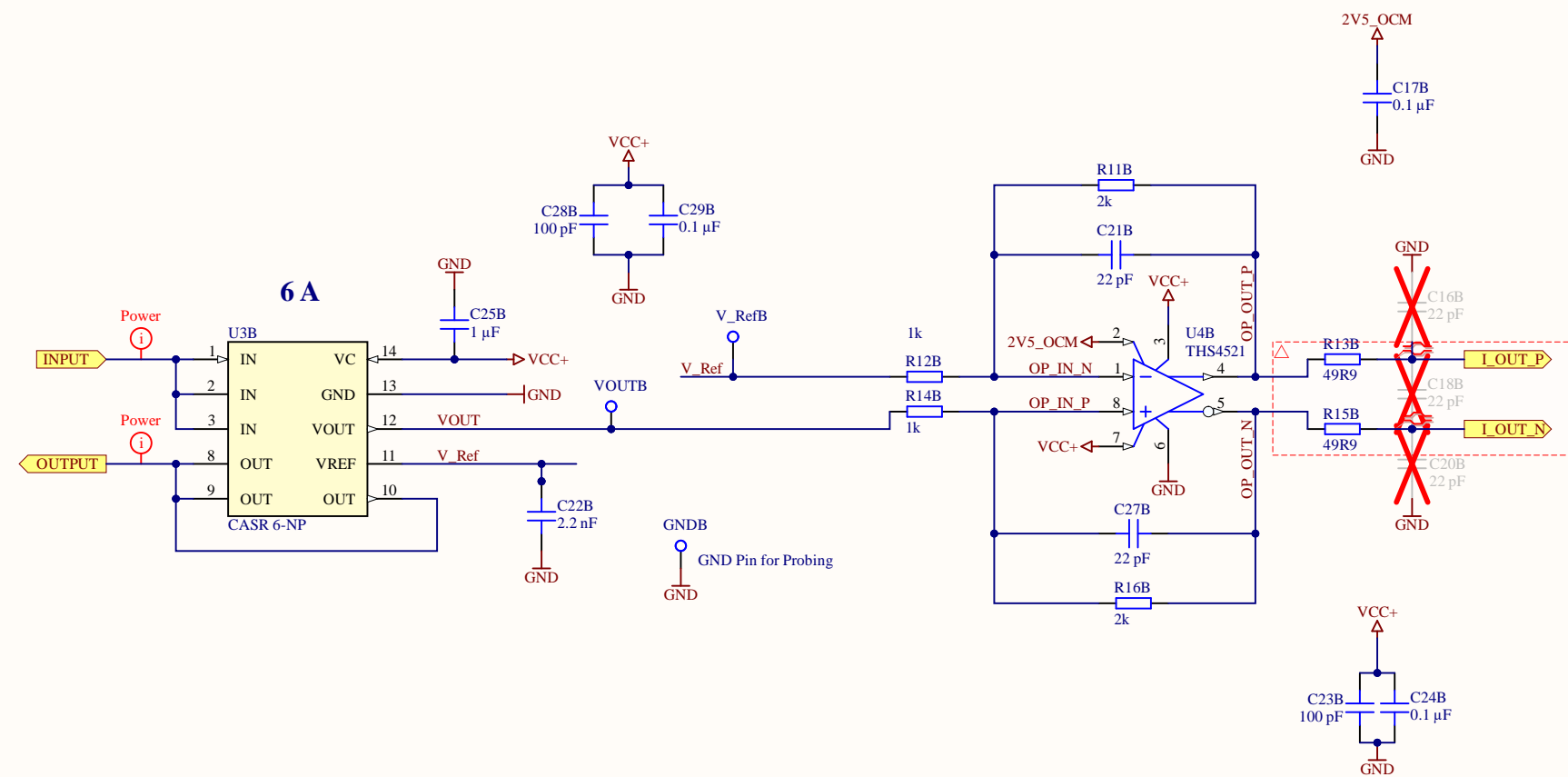



Title	Spannungswandlung.SchDoc	
Revision:	Rev02	Design Engineer: Kaan Ilhan
Project:	Strommessplatine.PjPcb	

UltraZohm
www.ultrazohm.com
Date: 20.05.2025
Sheet 2 of 6

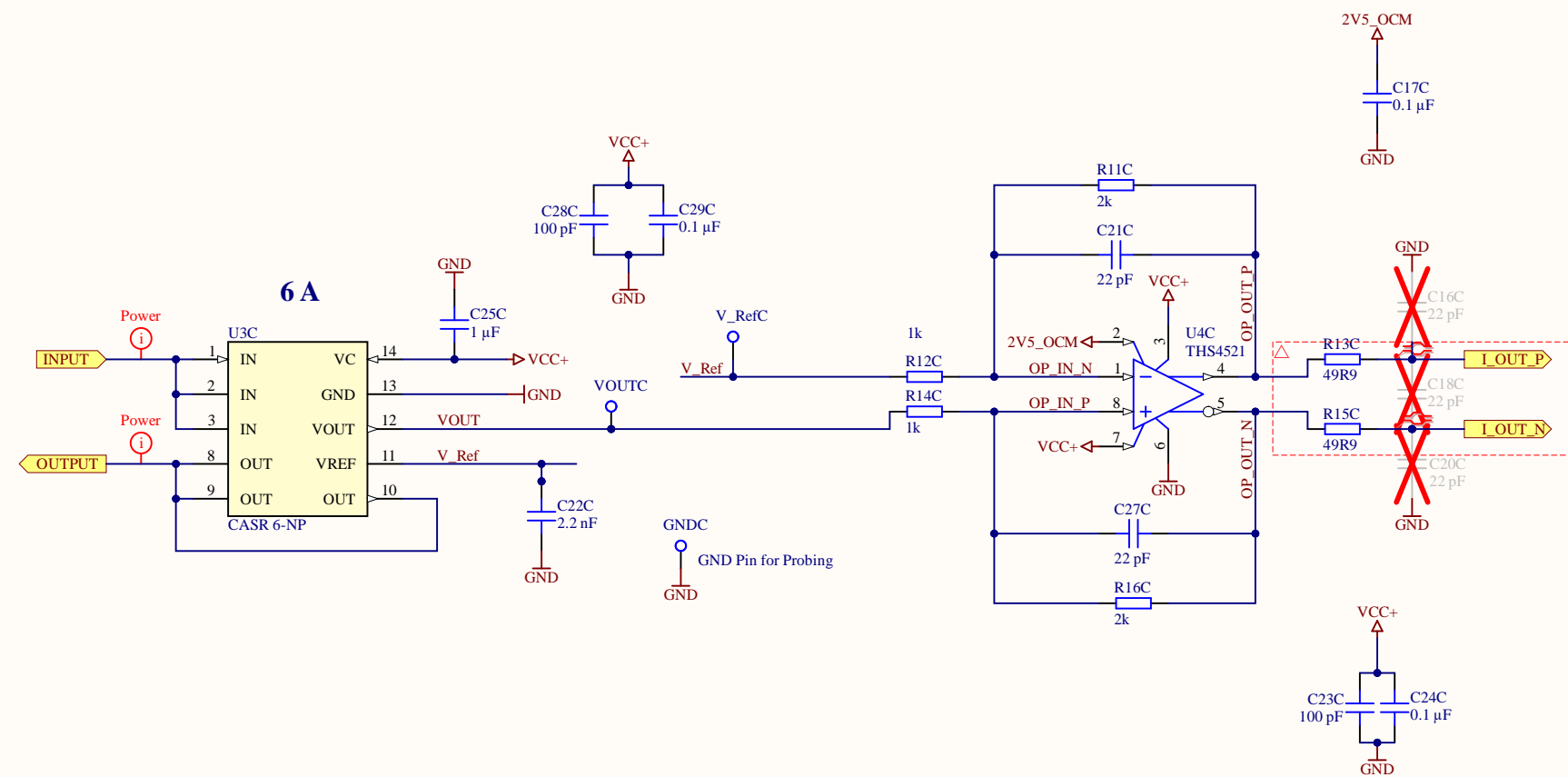



Title: Measurement.SchDoc		 www.ultrazohm.com	
Revision: Rev02	Design Engineer: Kaan Ilhan		
Project: Strommessplatine.PjPcb			
		Date: 20.05.2025	Sheet 3.1 of 6



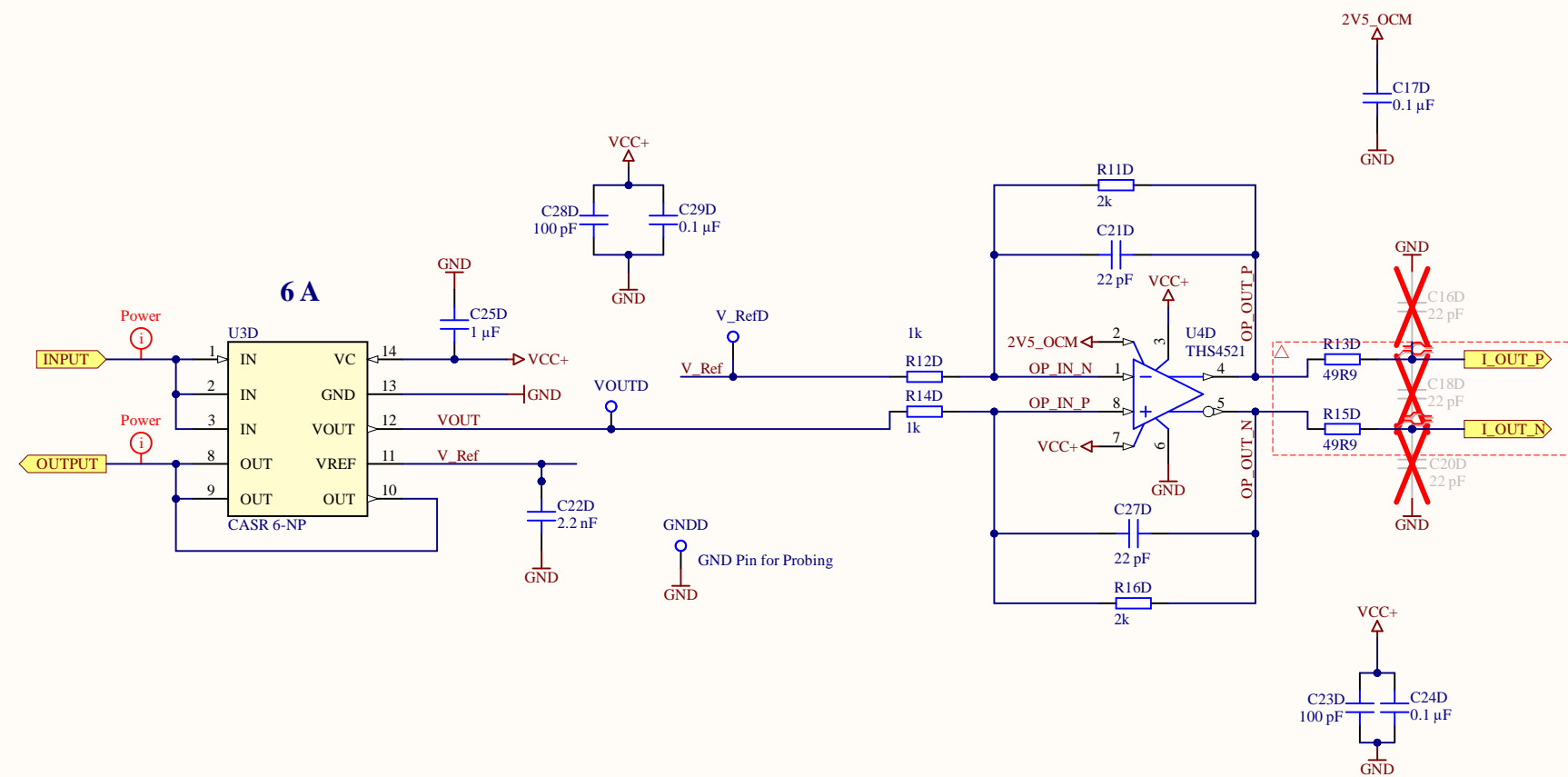
Title: Measurement.SchDoc		
Revision: Rev02	Design Engineer: Kaan Ilhan	
Project: Strommessplatine.PjPcb		



UltraZohm
www.ultrazohm.com
 Date: 20.05.2025
 Sheet 3.2 of 6



Title: Measurement.SchDoc		
Revision: Rev02	Design Engineer: Kaan Ilhan	
Project: Strommessplatine.PjPcb		

UltraZohm
www.ultrazohm.com
 Date: 20.05.2025
 Sheet 3.3 of 6



Title: Measurement.SchDoc		 www.ultrazohm.com	
Revision: Rev02	Design Engineer: Kaan Ilhan		
Project: Strommessplatine.PjPcb			

Date: 20.05.2025
Sheet 3.4 of 6