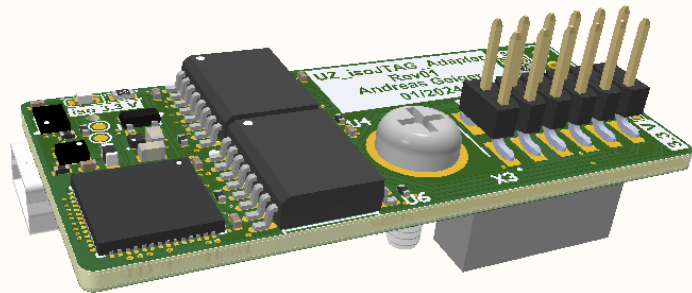


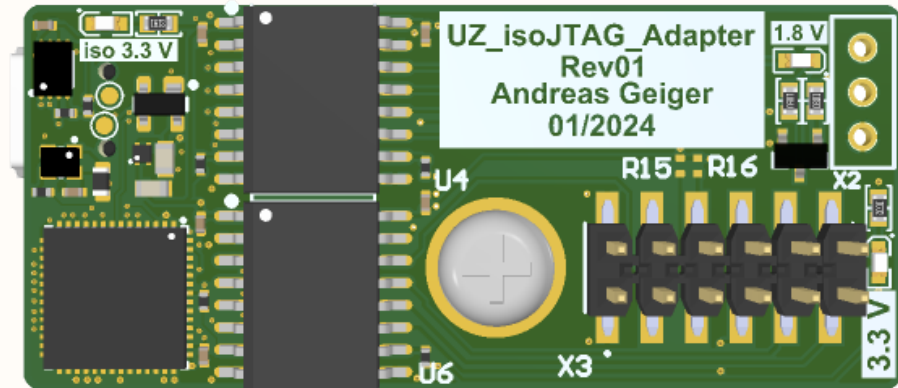
UZ_isoJTAG_Adapter

Board Features:

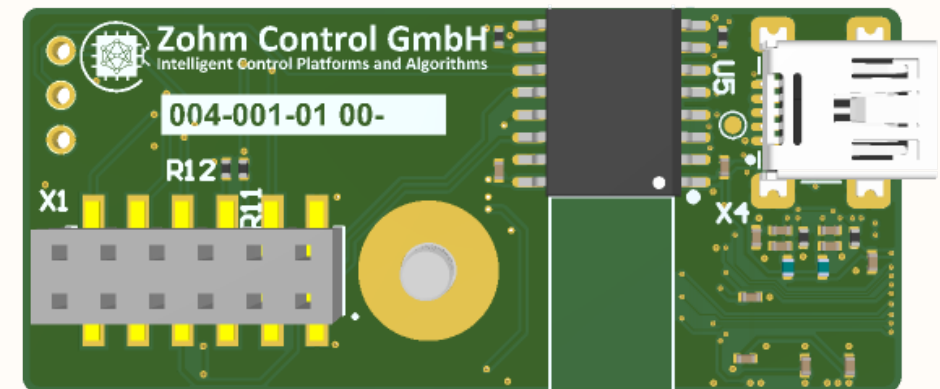
- Isolated JTAG and UART Module
- compatible with Xilinx Toolchain
- compatible to UltraZohm JTAG connector interface
- 4-Channel FTDI
- Connection to Xilinx SoC (1x JTAG, 2x UART) via X1/X2
- Connection to CPLD (1x JTAG) via X3
- Status LEDs for power supply rails
- Board size: 22 x 50 mm




Top View

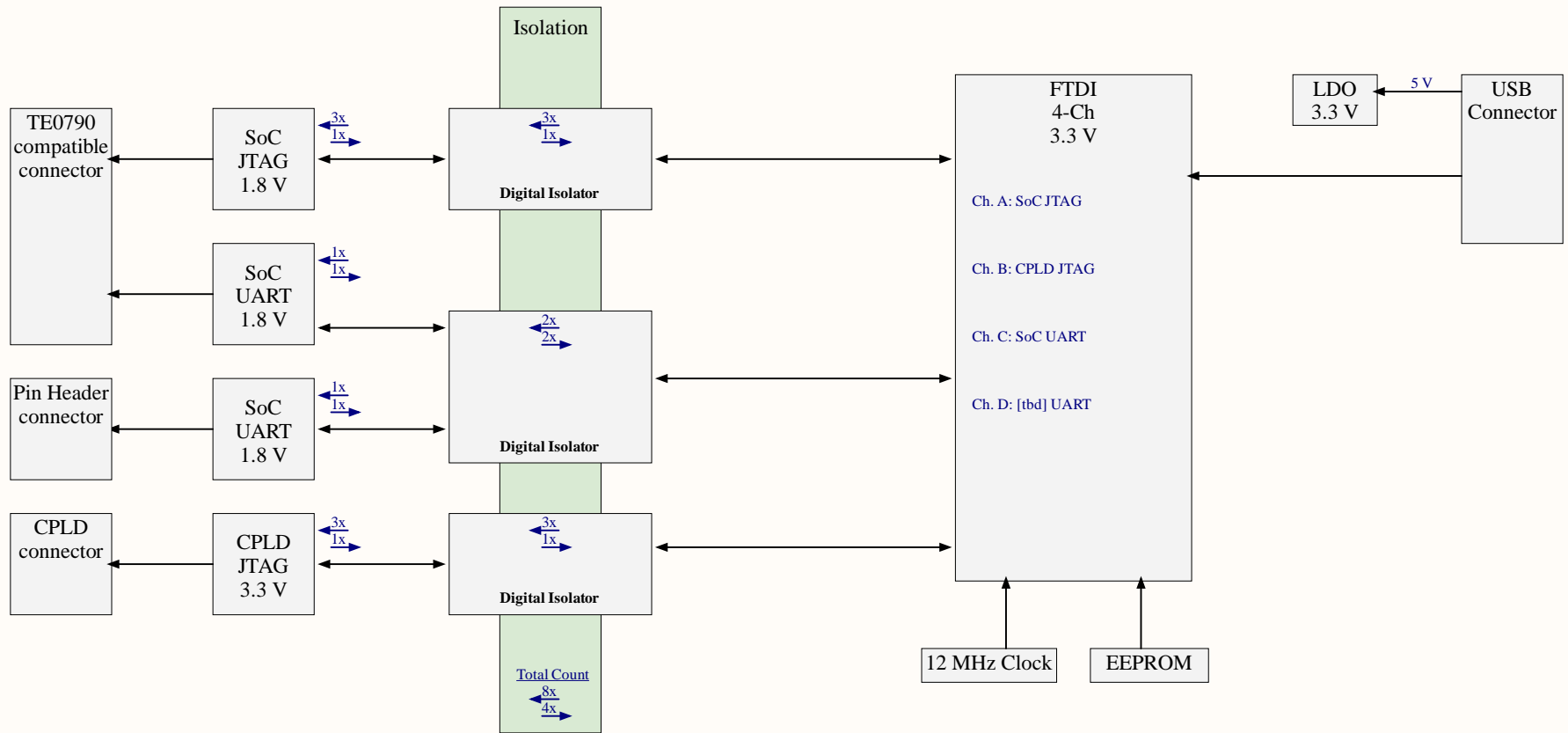


Bottom View

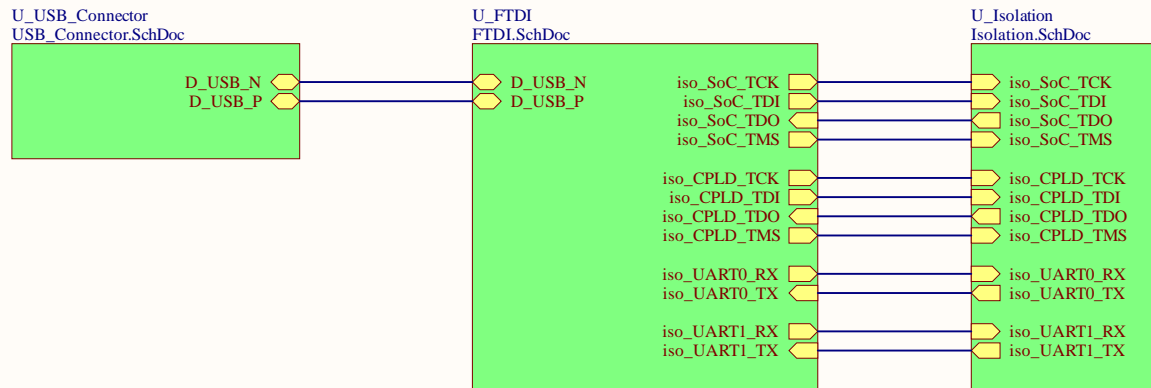



For more information visit:
www.zohm-control.com

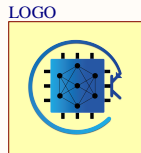
Title: System_Overview.SchDoc	Variant: Default	Zohm Control GmbH Rittersbacher Straße 48c 91126 Schwabach www.zohm-control.com	
Project: UZ_isoJTAG_Adapter.PrjPcb	Revision: Rev01		
Design Engineer: Andreas Geiger	Date: 16.01.2024		
	Sheet 1 of 6		



ZCbugger Board Top Sheet



MH1
 1 GND
 Mouting Hole, 3mm



INFO
 Project
 ProjectRevision
 AuthorParam
 ProjectDate
Design Information

Serial
 Serial
 Product- and Serialnumber

U_System_Overview
 System_Overview.SchDoc

U_Block_Diagram
 Block_Diagram.SchDoc

Title: TopSheet.SchDoc	Variant: Default
Project: UZ_isoJTAG_Adapter.PrjPcb	Revision: Rev01
Design Engineer: Andreas Geiger	Date: 16.01.2024
	Sheet 3 of 6

Zohm Control GmbH
 Rittersbacher Straße 48c
 91126 Schwabach
www.zohm-control.com



A

A

B

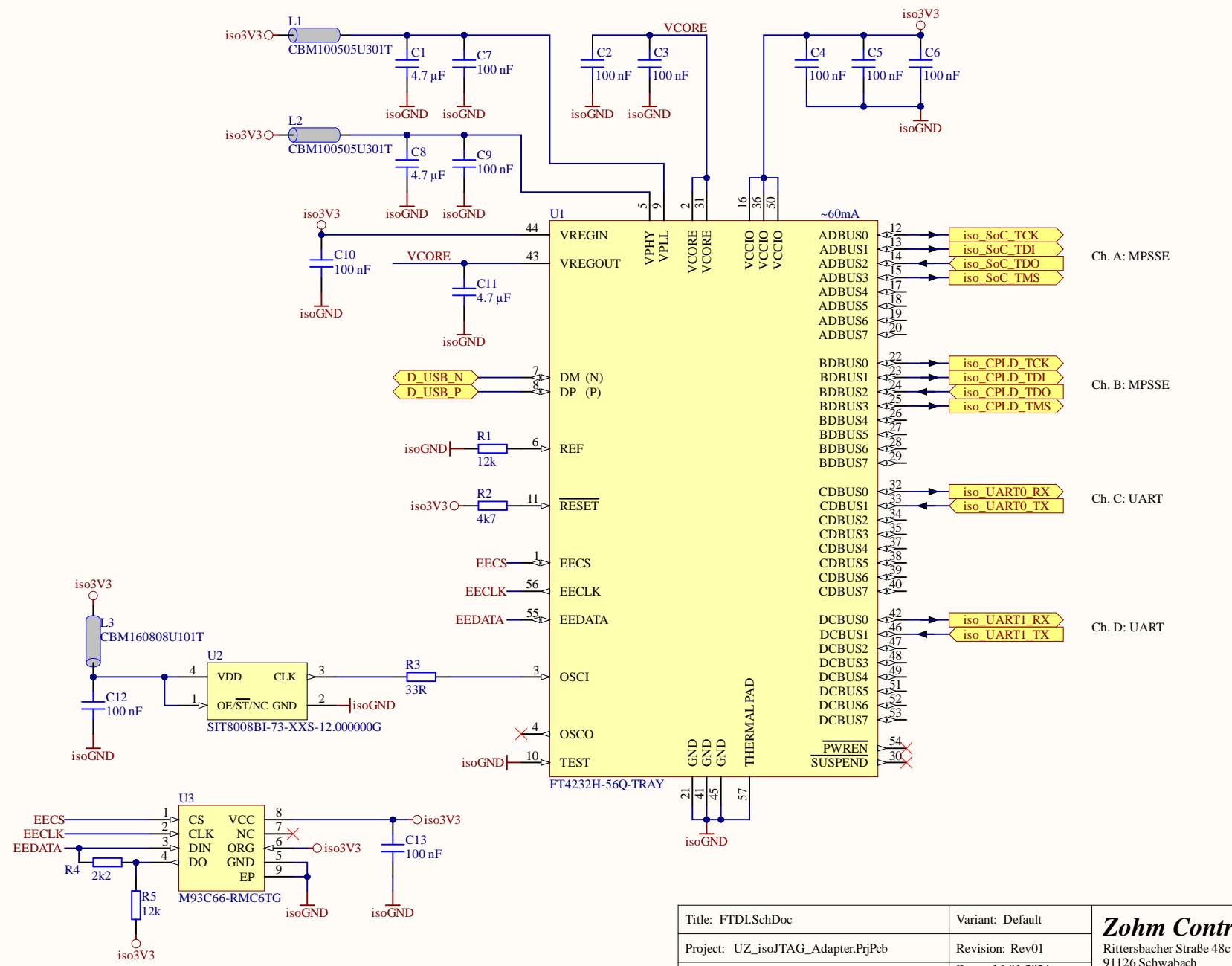
B

C

C

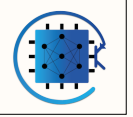
D

D

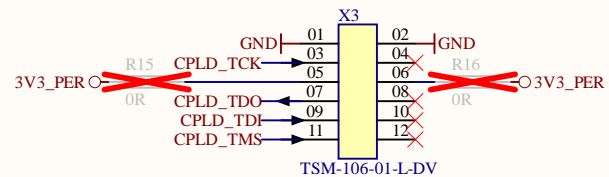
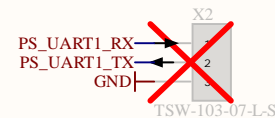
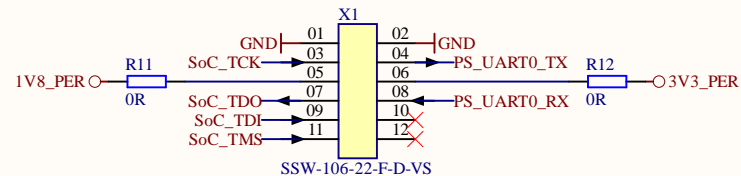
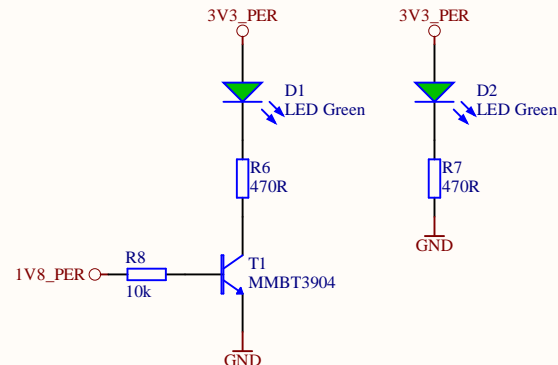
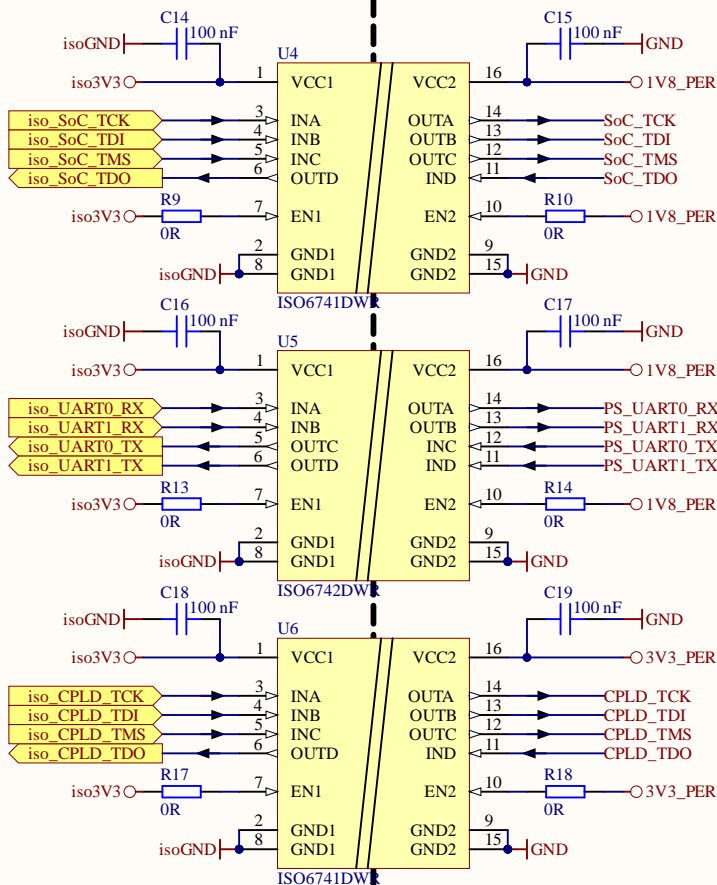


Title: FTDI.SchDoc	Variant: Default
Project: UZ_isoJTAG_Adapter.PriPcb	Revision: Rev01
Design Engineer: Andreas Geiger	Date: 16.01.2024
	Sheet 4 of 6

Zohm Control GmbH
 Rittersbacher Straße 48c
 91126 Schwabach
www.zohm-control.com

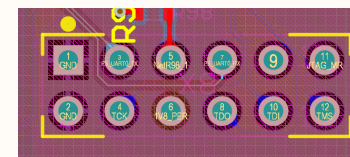
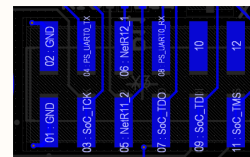



Isolated side Processor side

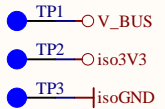
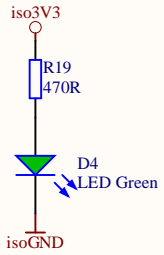
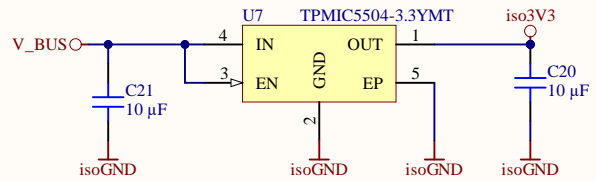
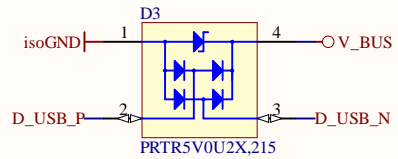
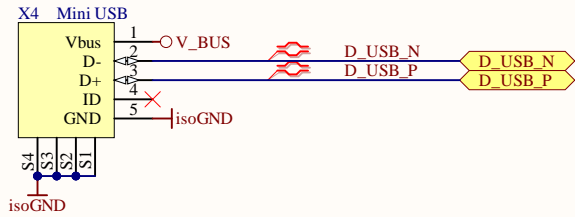


SoC-JTAG at UZ_isoJTAG_Adapter

SoC-JTAG at UZ_CarrierBoard



Title: Isolation.SchDoc	Variant: Default	Zohm Control GmbH Rittersbacher Straße 48c 91126 Schwabach www.zohm-control.com	
Project: UZ_isoJTAG_Adapter.PjnPcb	Revision: Rev01		
Design Engineer: Andreas Geiger	Date: 16.01.2024		
	Sheet 5 of 6		



Title: USB_Connector.SchDoc	Variant: Default
Project: UZ_isoJTAG_Adapter.PrjPcb	Revision: Rev01
Design Engineer: Andreas Geiger	Date: 16.01.2024
	Sheet 6 of 6

Zohm Control GmbH
 Rittersbacher Straße 48c
 91126 Schwabach
www.zohm-control.com

