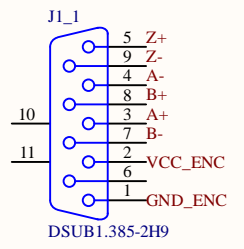
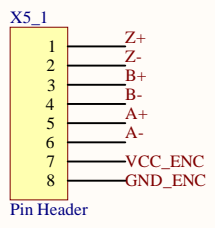


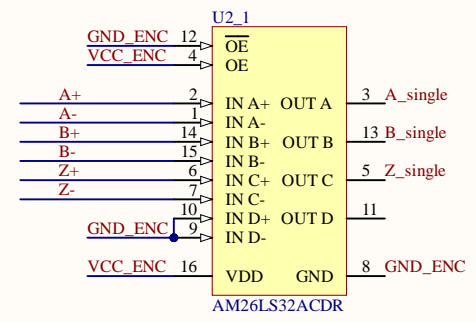
Encoder Input



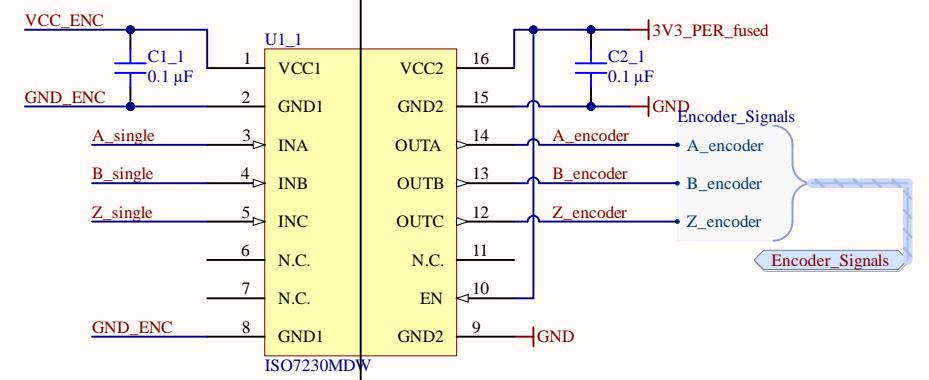
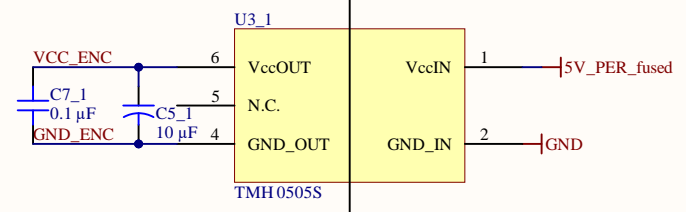
Label	Pin	Encoder	Color(Kübler)
A+	Pin3	0+	blue
A-	Pin4	0-	red
B+	Pin8	A+	green
B-	Pin7	A-	yellow
Z+	Pin5	B+	grey
Z-	Pin9	B-	pink
VCC_ENC	Pin2	UB	brown
GND_ENC	Pin1	0V	white
NC	Pin6	--	



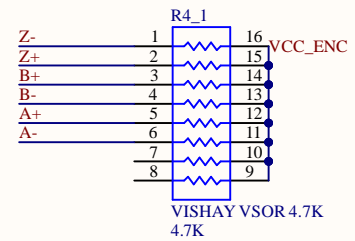
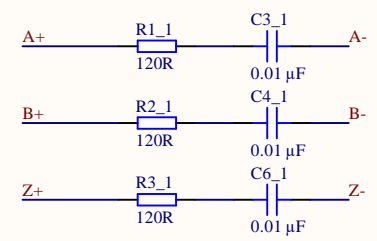
Differential to Single-Ended



Isolation Barrier

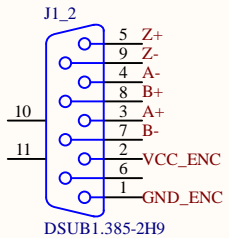


Termination

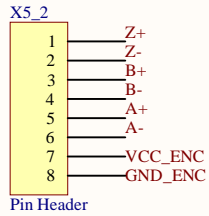


Title Encoder_Interface.SchDoc		UltraZohm www.ultrazohm.com	
Revision: Rev02	Design Engineer: Michaela Hlatky		
Project: UZ_D_Incr_Encoder.PrjPCB		Date: 29.04.2022	Sheet .1 of 6

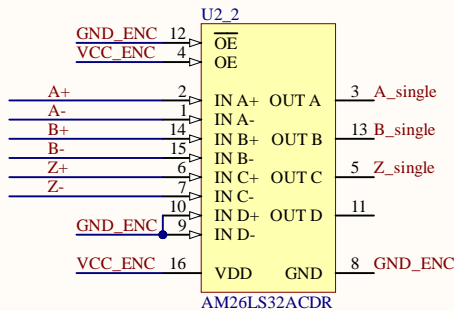
Encoder Input



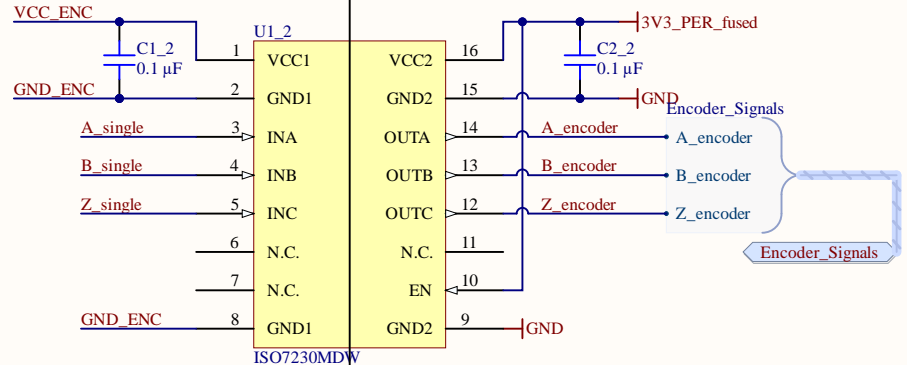
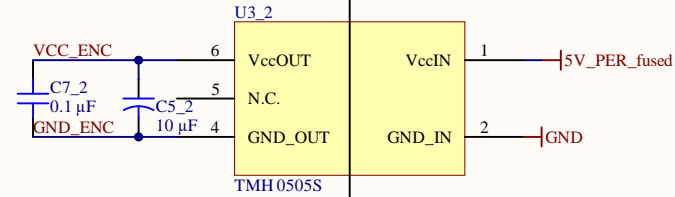
Label	Pin	Encoder	Color(Kübler)
A+	Pin3	0+	blue
A-	Pin4	0-	red
B+	Pin8	A+	green
B-	Pin7	A-	yellow
Z+	Pin5	B+	grey
Z-	Pin9	B-	pink
VCC_ENC	Pin2	UB	brown
GND_ENC	Pin1	0V	white
NC	Pin6	--	



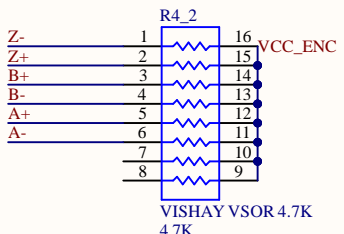
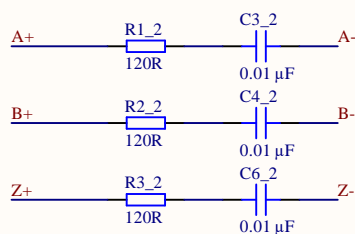
Differential to Single-Ended



Isolation Barrier

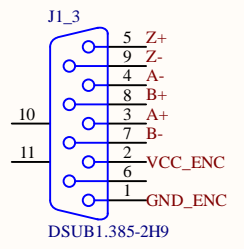


Termination

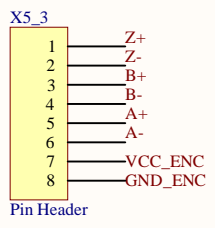


Title Encoder_Interface.SchDoc		UltraZohm www.ultrazohm.com	
Revision: Rev02	Design Engineer: Michaela Hlatky		
Project: UZ_D_Incr_Encoder.PrjPCB		Date: 29.04.2022	Sheet .2 of 6

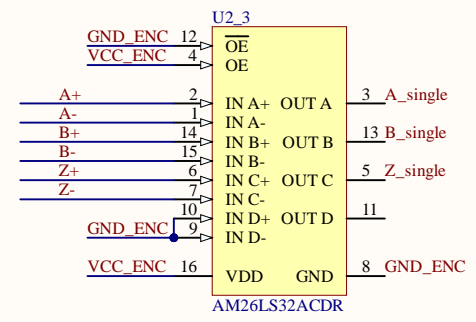
Encoder Input



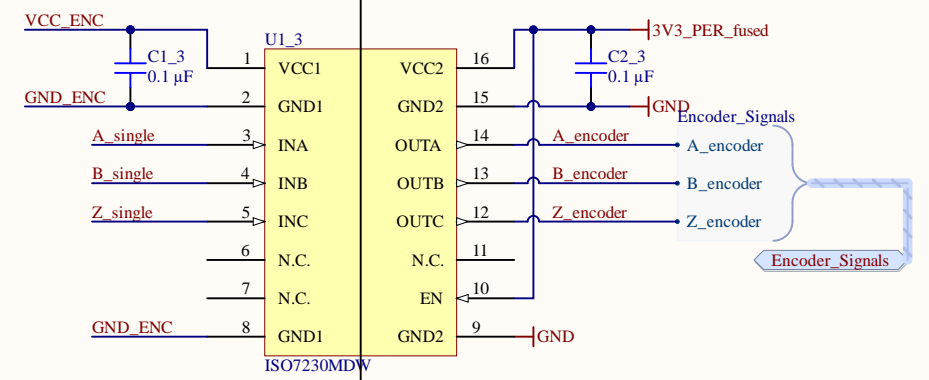
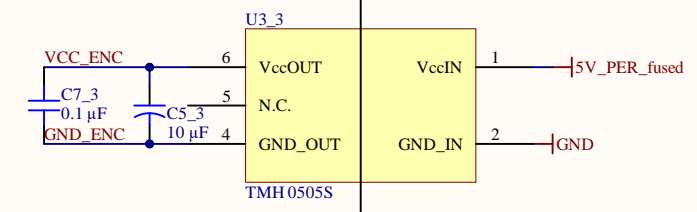
Label	Pin	Encoder	Color(Kübler)
A+	Pin3	0+	blue
A-	Pin4	0-	red
B+	Pin8	A+	green
B-	Pin7	A-	yellow
Z+	Pin5	B+	grey
Z-	Pin9	B-	pink
VCC_ENC	Pin2	UB	brown
GND_ENC	Pin1	0V	white
NC	Pin6	--	



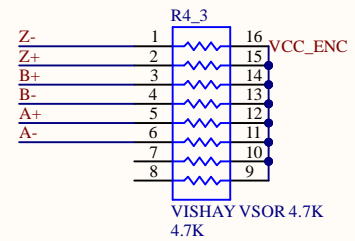
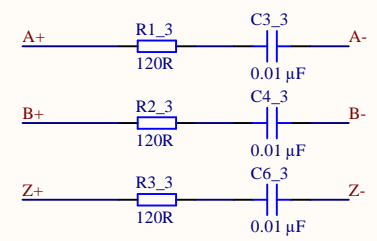
Differential to Single-Ended



Isolation Barrier



Termination



Title Encoder_Interface.SchDoc		UltraZohm www.ultrazohm.com	
Revision: Rev02	Design Engineer: Michaela Hlatky		
Project: UZ_D_Incr_Encoder.PrjPCB		Date: 29.04.2022	Sheet .3 of 6

A

A

B

B

C

C

D

D

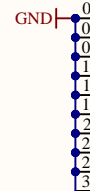
DigCon_DIG_IO

- DIG_IO_00 → DIG_IO_00
- DIG_IO_01 → DIG_IO_01
- DIG_IO_02 → DIG_IO_02
- DIG_IO_03 → DIG_IO_03
- DIG_IO_04 → DIG_IO_04
- DIG_IO_05 → DIG_IO_05
- DIG_IO_06 → DIG_IO_06
- DIG_IO_07 → DIG_IO_07
- DIG_IO_08 → DIG_IO_08
- DIG_IO_09 → DIG_IO_09
- DIG_IO_10 → DIG_IO_10
- DIG_IO_11 → DIG_IO_11
- DIG_IO_12 → DIG_IO_12
- DIG_IO_13 → DIG_IO_13
- DIG_IO_14 → DIG_IO_14
- DIG_IO_15 → DIG_IO_15
- DIG_IO_16 → DIG_IO_16
- DIG_IO_17 → DIG_IO_17
- DIG_IO_18 → DIG_IO_18
- DIG_IO_19 → DIG_IO_19
- DIG_IO_20 → DIG_IO_20
- DIG_IO_21 → DIG_IO_21
- DIG_IO_22 → DIG_IO_22
- DIG_IO_23 → DIG_IO_23
- DIG_IO_24 → DIG_IO_24
- DIG_IO_25 → DIG_IO_25
- DIG_IO_26 → DIG_IO_26
- DIG_IO_27 → DIG_IO_27
- DIG_IO_28 → DIG_IO_28
- DIG_IO_29 → DIG_IO_29

DIG_IO

DIG_IO		X2		DIG_IO	
DIG_IO_00	01	01	02	02	DIG_IO_02
DIG_IO_01	04	04	05	05	DIG_IO_04
DIG_IO_03	07	07	08	08	DIG_IO_06
DIG_IO_05	10	10	11	11	DIG_IO_08
DIG_IO_07	13	13	14	14	DIG_IO_10
DIG_IO_09	16	16	17	17	DIG_IO_12
DIG_IO_11	19	19	20	20	DIG_IO_14
DIG_IO_13	22	22	23	23	DIG_IO_16
DIG_IO_15	25	25	26	26	DIG_IO_18
DIG_IO_17	28	28	29	29	DIG_IO_19

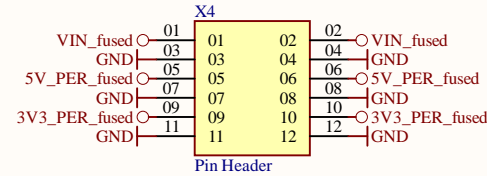
DIG_IO		X3		DIG_IO	
DIG_IO_21	01	01	02	02	DIG_IO_20
DIG_IO_23	04	04	05	05	DIG_IO_22
DIG_IO_25	07	07	08	08	DIG_IO_24
DIG_IO_27	10	10	11	11	DIG_IO_26
DIG_IO_29	13	13	14	14	DIG_IO_28
		16	17	17	
		19	20	20	
		22	23	23	
		25	26	26	
		28	29	29	



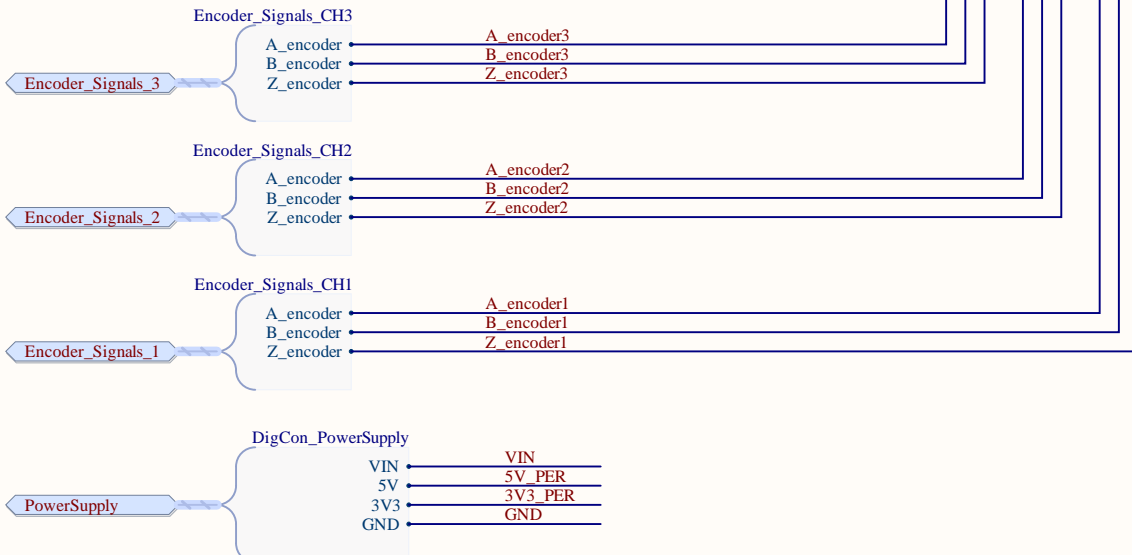
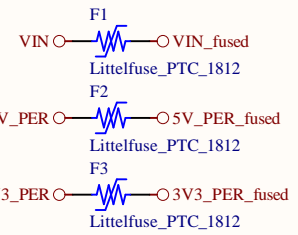
Pin Header



Pin Header



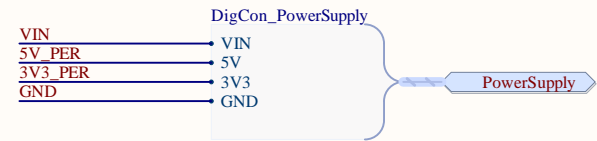
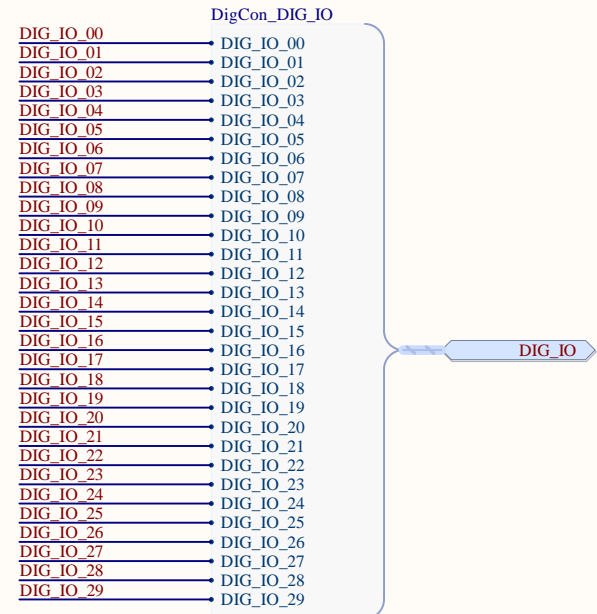
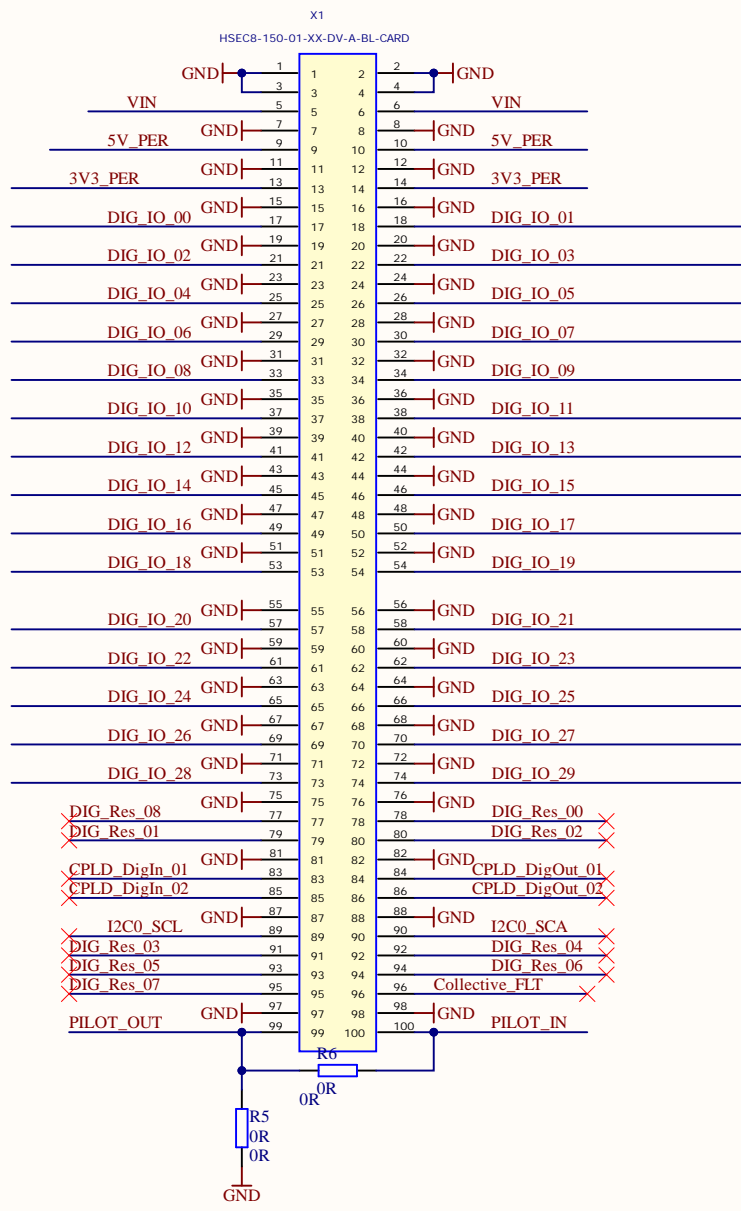
Pin Header



Title Connectors.SchDoc	
Revision: Rev02	Design Engineer: Michaela Hlatky
Project: UZ_D_Incr_Encoder.PrjPCB	

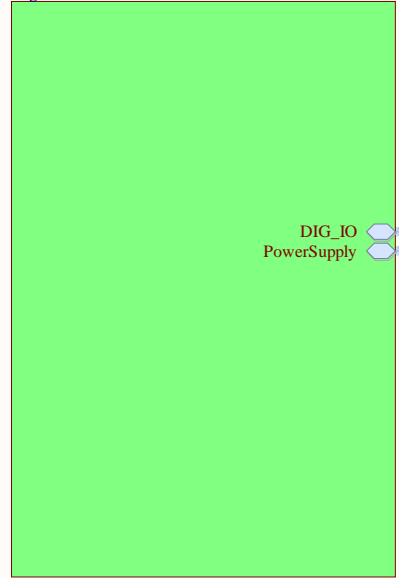
UltraZohm
www.ultrazohm.com
 Date: 29.04.2022
 Sheet of 6



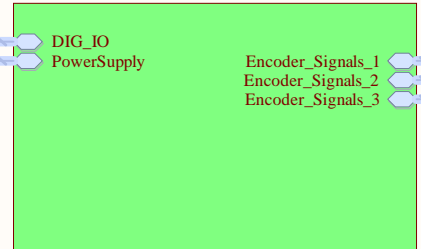


Title DigitalCarrierJack.SchDoc		UltraZohm www.ultrazohm.com	
Revision: Rev02	Design Engineer: Michaela Hlatky		
Project: UZ_D_Incr_Encoder.PrjPCB		Date: 29.04.2022	Sheet of 6

X1
DigitalCarrierJack.SchDoc



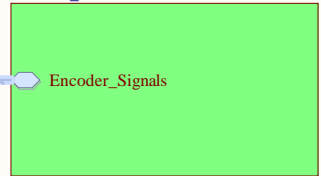
Connector
Connectors.SchDoc



Encoder1
Encoder_Interface.SchDoc



Encoder2
Encoder_Interface.SchDoc



Encoder3
Encoder_Interface.SchDoc



LOGO?

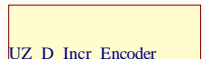


UZ Logo



Revision

Serial
Serial



UZ_D_Incr_Encoder
Project



Designer

Title TopSheet.SchDoc	
Revision: Rev02	Design Engineer: Michaela Hlatky
Project: UZ_D_Incr_Encoder.PrjPCB	

UltraZohm
www.ultrazohm.com
Date: 29.04.2022
Sheet of 6

