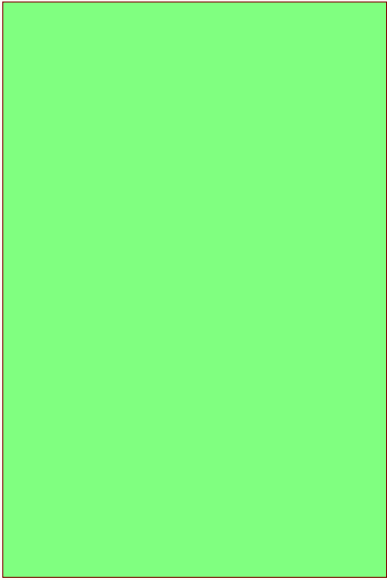
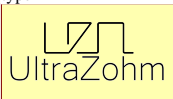


Connectors



Chose size of UZ logo  
by chosing footprint  
type



LOGO1

D. Hufnagel

Designer

UZ\_PER\_deskbench\_terminal

Project

04/23

Date

Rev01a

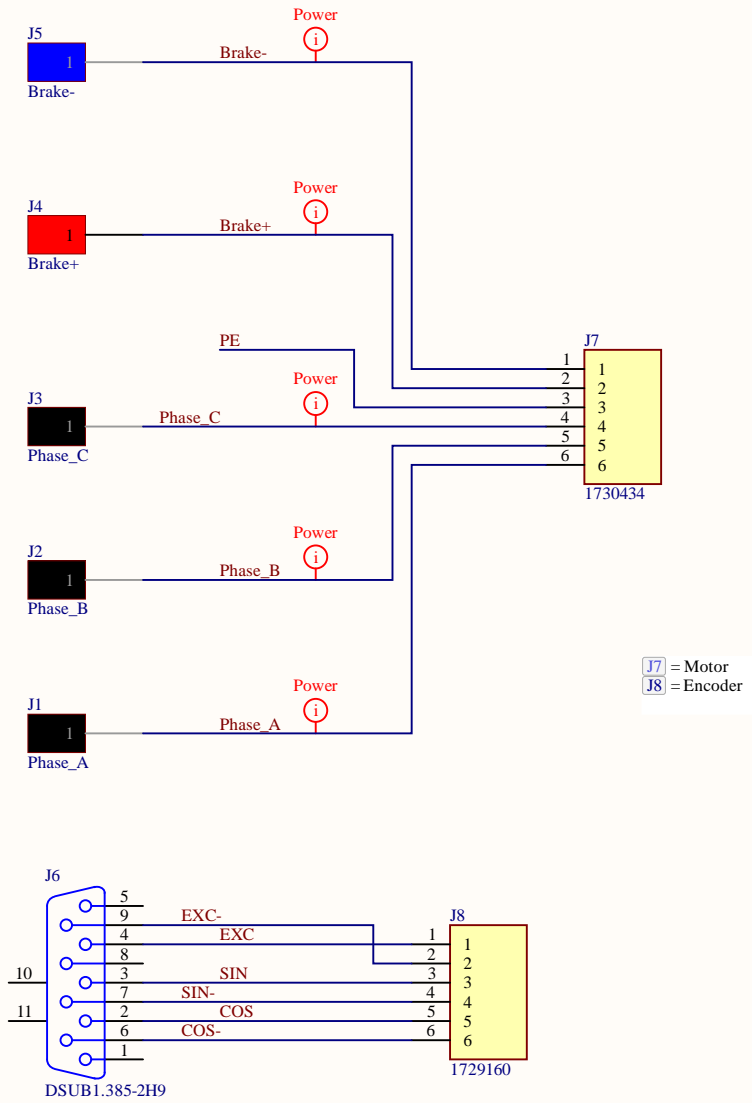
Revision



Serial  
Serial

Title TopSheet.SchDoc	
Revision: Rev01a	Design Engineer: D. Hufnagel
Project: UZ_PER_deskbench_terminal.PrjPCB	

<b>UltraZohm</b>
<a href="http://www.ultrazohm.com">www.ultrazohm.com</a>
Date: 26.08.2024
Sheet 1 of 2





Title Connectors.SchDoc		 <a href="http://www.ultrazohm.com">www.ultrazohm.com</a> 
Revision: Rev01a	Design Engineer: D. Hufnagel	
Project: UZ_PER_deskbench_terminal.PrjPCB		
Date: 26.08.2024		
Sheet 2 of 2		